



Prefix or Serial Number

Part Number or Keyword

NAVIGATE

SEARCH

Announcements

What's New

Coming Soon

Welcome to Service Information System (SIS) 2.0

Release 38 is now live! Click [here](#) for a short video highlighting what is new.

Want to learn more? Click [here](#) for the SIS 2.0 monthly webinar schedule.

Not sure where to start? Click [here](#) for the SIS 2.0 Quick Start Guide, Training Videos and FAQs.

Let us know what you think! Use the Feedback option in the User Menu to contact the SIS 2.0 team.



SIS 2.0

jms228

water pump



Wheel-Type Loader > Wheel Loader > 980H

Filters

1 - 50 of 249 results

View: 50 Page 1 / 5

Date

- All
- Last 7 Days
- Custom Range

Information Type

- Applied Failure Analysis (1)
- Bench Test Procedures (1)
- Contamination Control Guidelines (6)
- Custom Service Information (3)
- Disassembly and Assembly (13)
- Engine News (2)
- Information Release Memo (3)
- Operation and Maintenance Manual (24)
- Parts Identification (36)
- Reuse And Salvage Guidelines (25)

[+ Show More](#)

Systems

- Air Inlet And Exhaust System (5)
- Basic Engine (20)
- Braking System (11)
- Combine Header (1)
- Cooling System (50)
- Differential Steering System (2)
- Electrical And Starting System (7)
- Electrical System (1)
- Engine Arrangement (35)
- Frame And Body (5)

[+ Show More](#)

SMCS Code

- 0100 - Fundamental Knowledge & Theory (1)
- 0113 - Fluids & Hydraulics (1)
- 0355 - Transportation & Storage (1)
- 0372 - Inspection, Diagnostic & Performance Test Information (3)
- 0374 - Product Support Literature (17)
- 0599 - Service Tools & Equipment Codes (25)
- 0602 - Wrenches (1)
- 0645 - Grease/oils/lubricants/fluids (2)
- 0647 - Charging Equipment (1)
- 0670 - Drills, Drill Bits & Reamers (1)

[+ Show More ...](#)

Product Configuration

980H_WHEEL Loader
Serial Number: JMS00228

377-7037 Kit-Water Pump

377-7037 KIT-WATER PUMP
S/N JMS1-UP
2017/11/13

109-2373 Fastener GP-Water Pump

109-2373 FASTENER GP-WATER PUMP
S/N TXG1-UP; LHX1-UP
FOR USE WHEN ALTERNATOR MOUNTING BRACKET IS NOT INSTALLED
PART OF 225-0992, 235-4692, 280-9912, 303-1581, 313-5819, 349-4456, 360-0418, 415-1208 ENGINE AR-COMplete
CANNOT BE USED WITH RH FRONT OIL GUIDE
2005/04/14

352-0211 Pump GP-Water

352-0211 PUMP GP-WATER
S/N TXG1-UP; LHX1-UP
PART OF 174-5986 PUMP GP-WATER
water pump PUMP GP-WATER Reman for 352-0211
2018/08/06

174-5986 Pump GP-Water

174-5986 PUMP GP-WATER
S/N TXG1-UP; LHX1-UP
HEAVY DUTY PUMP
PART OF 225-0992, 235-4692, 280-9912, 303-1581, 313-5819, 349-4456 ENGINE AR-COMplete, 351-2841, 449-8566 ENGINE AR-CORE
water pump PUMP GP-WATER Reman for 352-0211 (part of 174-5986)
2013/10/10

349-1533 Kit-Gasket

349-1533 KIT-GASKET -WATER PUMP
S/N JMS1-UP
CONTAINS THE GASKETS AND SEALS TO REINSTALL WATER PUMP AND ATTACHING LINES
FOR USE WITH 225-0992, 280-9912, 313-5819
2017/11/15

Water Pump

...n 1 g02542337 Table 1 Specification for the 174-5986 Water Pump Gp, 161-0969 Water Pump Gp, and 100-9347 Water Pum...
Specifications
2015/09/27

Water Pump

...ation 1 g03344797 Table 1 Specification for 384-4520 Water Pump Gp Item Qty Part Specification Description 1 1...
Specifications
2015/09/27

Water Pump

...ation 1 g02986216 Table 1 Specification for 343-8955 Water Pump Gp Item Qty Part Specification Description 1 1...
Specifications
2015/09/27

Water Pump

...ation 1 g03511978 Table 1 Specification for 374-4753 Water Pump Gp Item Qty Part Specification Description 1 1...
Specifications
2015/09/27



CAT SIS 2.0 jms228 water pump



Wheel-Type Loader > Wheel Loader > 980H > JMS

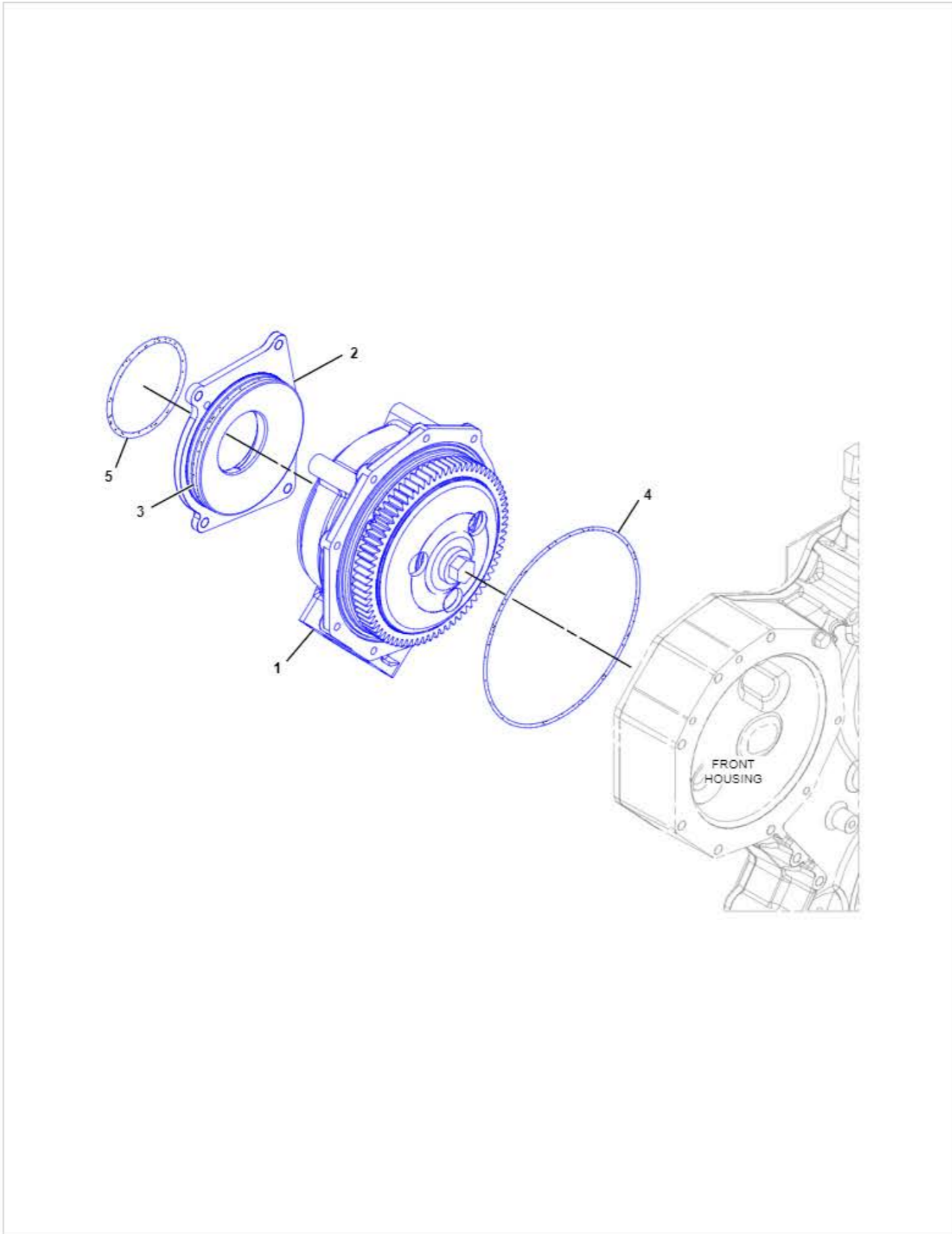
Part Service

jms228

980H Wheel Loader JMS00001-UP (MAC

Systems And Components

- 1 Braking System
- Electrical And Starting System
- Engine And Related Systems
- Air Inlet And Exhaust System
- Basic Engine
- Cooling System
- Cooler GP
- Cooling GP
- Fan GP
- Lines GP-Turbocharger Water
- Lines GP-Water
- Pump GP-Water
 - 109-2373 Fastener GP-Water Pump
 - 377-7037 Kit-Water Pump
 - 174-5986 Pump GP-Water
- Radiator GP
- Tank GP-Coolant
- Tank GP-Expansion
- Engine Arrangement
- Fuel System
- Lubrication System
- Frame And Body
- Hydraulic System
- Implements
- Machine Arrangement
- Operator Station
- Power Train
- Service Equipment And Supplies
- Steering System
- Work Tools



Group & Individual Parts

Entire Group

SMCS Code 1361 - Water

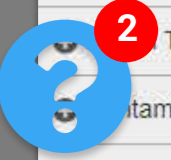
174-5986 **PUMP GP-WATER**
 S/N TXG1-UP; LHX1-UP
 HEAVY DUTY **PUMP**
 PART OF 225-0992, 235-4692, 280-9912, 303-1581, 313-5819, 349-4456 ENGINE AR-COMplete,
 351-2841, 449-8566 ENGINE AR-CORE

Individual Service Articles Where Used

Price And Availability		Quantity	All
Part Number	Part Name	Reqd	
1 352-0211	Pump GP-Water	1	1 + Add
2 4P-238	Adapter	1	1 + Add
3 9M-3786	Seal-O-Ring	1	1 + Add
4 122-3772	Seal-O-Ring	1	1 + Add
5 109-0077	Seal-O-Ring	1	1 + Add



CAT SIS 2.0 jms228 water pump

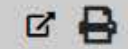


Wheel-Type Loader > Wheel Loader > 980H > JMS

Part Service

jms228 2005/04/28

Water Pump - Remove - Engine In Chassis (REN8663)



- Service Information
- Applied Failure Analysis
- Test Procedures
- Contamination Control Guidelines
- Custom Service Information
- Disassembly and Assembly
- 980H Wheel Loader C15 Engine Supplement
 - Steering Frame Lock - Separate an...
 - System Pressure - Release
 - Hood Tilt Pump and Motor - Remov...
 - Hood Tilt Cylinder - Remove and In...
 - Hood - Remove
 - Hood - Install
 - Belt Tensioner - Remove and Install
 - Alternator - Remove and Install - E...
 - Electric Starting Motor - Remove a...
 - Fuel Filter Bases and Priming Pum...
 - Fuel Filter Bases and Priming Pum...
 - Fuel Transfer Pump - Remove and ...
 - Fuel Tank - Remove
 - Fuel Tank - Install
 - Water Temperature Regulator - Re...
 - Water Pump - Remove - Engine In ...**
 - Water Pump - Install - Engine In Ch...
 - Crankshaft Front Seal - Remove - ...
 - Crankshaft Front Seal - Install - En...
 - Expansion Tank - Remove
 - Expansion Tank - Install
 - Radiator Top Tank - Remove
 - Radiator Top Tank - Install
 - Radiator Core - Remove and Install
 - Radiator and Fan Group (Includes ...
 - Radiator and Fan Group (Includes ...
 - Fan and Piston Motor (Hydraulic F...
 - Piston Motor (Hydraulic Fan) - Disa...
 - Piston Motor (Hydraulic Fan) - Ass...
 - Fan and Piston Motor (Hydraulic F...
 - Aftercooler - Remove and Install
 - Engine Compartment Shield - Rem...
 - Engine Compartment Shield - Install

SMCS - 1361

i02341115

Removal Procedure

1. Open the engine hood. Open the engine side panel that is located on the left side of the machine.
2. Drain the engine coolant. Refer to Operation and Maintenance Manual, "Cooling System Coolant (ELC) - Change".

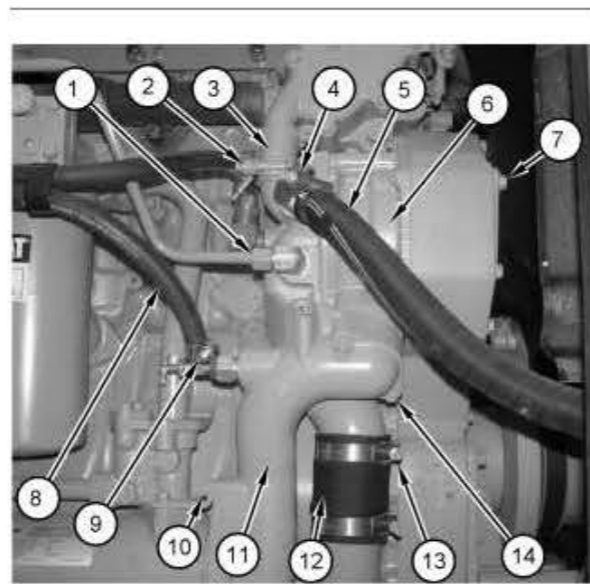


Illustration 1 g01094833

3. Disconnect tube assembly (1) . Loosen clamps (2) , (4) , (9) and (13) . Disconnect hoses (3) , (5) , (8) and (12) .
4. Remove bolt (10) . Remove bolts (14) and elbow (11) . Remove bolts (7) . Remove water pump (6) .

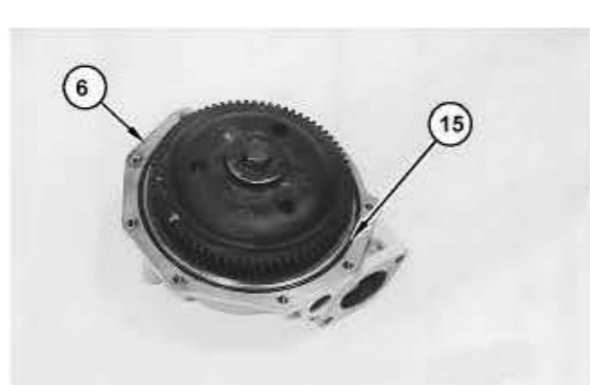


Illustration 2 g01094837

5. Remove O-ring seal (15) from water pump (6) .



CAT SIS 2.0 jms228 water pump



Wheel-Type Loader > Wheel Loader > 980H > JMS

Part Service

jms228

980H Wheel Loader JMS00001-UP (MAC

Systems And Components

- Braking System
- Electrical And Starting System
- Engine And Related Systems
- Frame And Body
- Hydraulic System
- Implements
- Machine Arrangement
- Operator Station
- Power Train
- Service Equipment And Supplies
- Steering System
- Work Tools

Service Letters (PIP/PSP) SIMSi TMI

980H_WHEEL Loader
Machine Serial Number - JMS00228

C15_ENGINE - Machine
Engine Serial Number - LHX00116

Product - Entire Group (JMS00228)

Part Number	Serial Number	Part Name
109-9213		Edge GP-Cutting
165-6177		Tire & Rim AR
187-5317		Bucket GP-General Purpose
196-8529		Control AR-Ride
225-5536		Tractor AR
↳133-1640		Protection GP-Vandalism
↳7K-5636		Cover GP-Xmsn Oil Filler Cap
↳175-4196		Guard GP-Power Train
↳197-6474		Mirror GP-Rear View
↳225-5537		General AR
↳235-5277		Warning GP-Backup
↳235-5313		Starting Aid GP-Ether
↳235-5315		Air Conditioner AR
236-4440		Plate & Film GP
1000	LHX00116	Engine

Engine - Entire Group (LHX00116)

Note	Part Number	Change Level	Part Name
			Part Numbers
225-0992	05	Engine AR-Complete	



Shopping Cart

Name:



You can [add a note](#) to this order.

Quantity	SMCS	Part Number	Part Name	Group Number	Group Name	Note
<input type="text" value="1"/>	1361	352-0211	Pump GP-Water	174-5986	Pump GP-Water	<input type="button" value="+"/>
<input type="text" value="1"/>	1361	4P-2383	Adapter	174-5986	Pump GP-Water	<input type="button" value="+"/>
<input type="text" value="1"/>	1361	9M-3786	Seal-O-Ring	174-5986	Pump GP-Water	<input type="button" value="+"/>
<input type="text" value="1"/>	1361	122-3772	Seal-O-Ring	174-5986	Pump GP-Water	<input type="button" value="+"/>
<input type="text" value="1"/>	1361	109-0077	Seal-O-Ring	174-5986	Pump GP-Water	<input type="button" value="+"/>

[Delete All](#)

Add Part



ORDER PARTS

Price And Availability



PRODUCT STRUCTURE

Current SIS users that click Product Structure can use the Navigate button directly from the Home page (Prefix or Serial Number required) or click on a part from Search Results. If a complete Serial Number is provided, and invoice information is available, you may also click on the Product Configuration result in Search Results.



DOCUMENT STRUCTURE

Current SIS users that click Document Structure can use the Navigate button directly from the Home page (Prefix required) or click on a service article or publication from Search Results.



PRODUCT CONFIGURATION

If a complete serial number is provided, and invoice information is available, you can use the Navigate button directly from the Home page or click on the Product Configuration result in Search Results. If you are already in Navigation, simply enter a new serial number in the QuickSync field to view Parts and Service information for that product.



SEARCH

All search items in current SIS are incorporated into the "Part Number or Keyword" field in SIS 2.0 including Basic Search, Advanced Full Text Search, Filters Search, SMCS Code Search, and Media Search. Providing a Prefix or Serial Number will narrow your results based on effectivity.



ALTERNATES

Alternate parts can be found inline with their standard part in the Individual Parts consist. If available, some Kits will also be shown at the Group level. You can also search for alternate part numbers like you would any other query.



INFORMATION

NPR has been integrated into the Information button beside each applicable part.



SHOPPING CART

The parts list in current SIS used for ordering or estimation is now available by clicking the Shopping Cart icon.



EXTERNAL LINKS

Links to external resources can be found under the External Links icon in the system header. Selecting these links will open a new browser tab and maintain your current session in SIS 2.0.



PREFIX OR SERIAL NUMBER FIELD

The "Find" feature in current SIS has been integrated into the Prefix or Serial Number field via AutoSuggest. Simply begin typing a product family, model or prefix to view suggested results. Exact matches will display at the top of the list.



USER MENU

Click on your User ID in the top right corner to view the User Menu. Currently, you can Send Feedback, view Training information, or review Release and Legal Compliance information.



CHANGE PRODUCT CONFIGURATION

When viewing Parts information, you can choose to update the Systems and Components based on a different Product Configuration (parts manual) by selecting an option from the dropdown.



CUSTOMER PRICE & AVAILABILITY

If your dealership leverages PartStore integration, customer Price & Availability can be synced within the Individual Parts list and/or Shopping Cart.



QUICK FILTERS

Quick Filters can be used to quickly narrow your search results. The gear icon represents Parts results. The page and book icons represent Service Articles and Service Publications results, respectively. To return to All results, click the globe icon.



PIP/PSP, SIMSi, TMI LINKS

If information for your product is available in other systems, links to those systems will be available on the Product Configuration page.



NEW INFORMATION IN LAST 7 DAYS

Click the newspaper icon to view all new information added in the last 7 days.



LANGUAGE

Click the globe icon to change the display language of SIS 2.0.



WHERE USED

Click the Where Used tab to view a list of other products the current part is used.